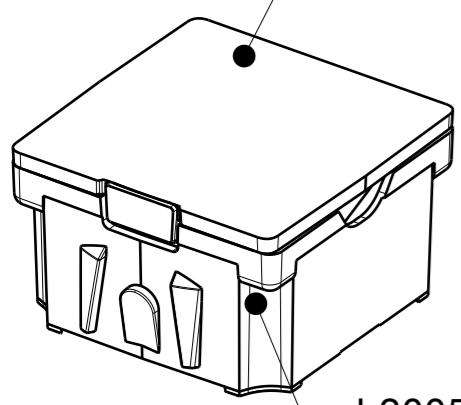
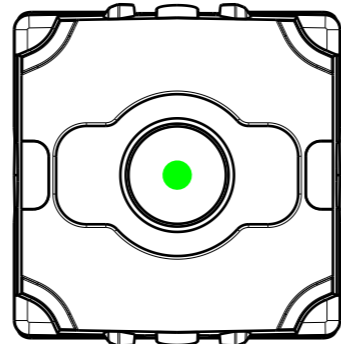


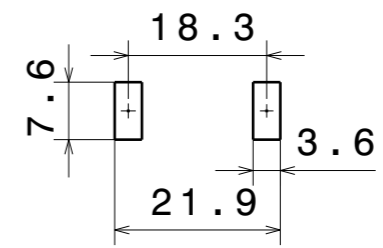
C12724_LAURA-SS-WAS



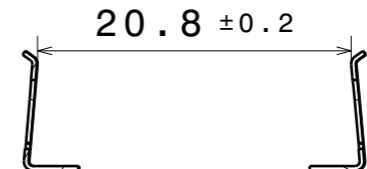
L20050_LAURA-SC2-HLD-BLK



Recommended PAD design



Clip reference distance after soldering

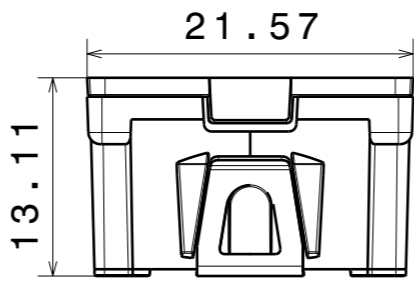
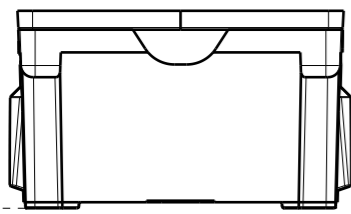


4

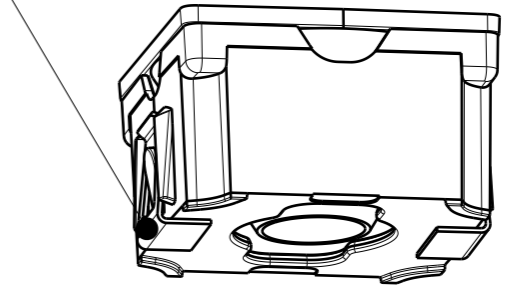
4

3

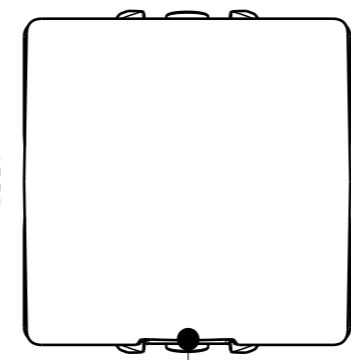
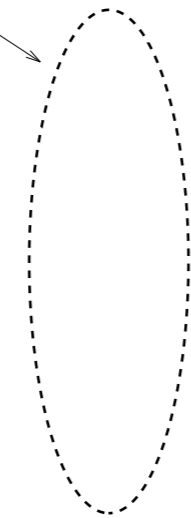
3



C18696_SOLDER-CLIP-2
Bottom of solder clip underneath holder
Opening of solder clip facing holder



SS-WAS beam direction



Lens Clip + Solder Clip

LP20060_LAURA-SC2-SS-WAS-BLK

COMPONENTS

INDEX	PART	TYPE	COUNT	MATERIAL	COLOR / COATING
1	C12724_LAURA-SS-WAS	LENS	1	PMMA	CLEAR
2	L20050_LAURA-SC2-HLD-BLK	HOLDER	1	PC	BLACK

MECHANICAL DRAWING		LEDiL
PRODUCT LAURA-SC2-SS-WAS		
Plastic moulding general tolerances according to DIN 16901-130 and applies if not otherwise shown in the drawing. Silicone moulding general tolerances according to ISO 3302-1 Class M3 and applies if not otherwise shown in the drawing.	FIRST ANGLE PROJECTION: 	This drawing is the property of LEDiL Oy. It may not be copied or otherwise distributed without prior written permission from LEDiL Oy.
SCALE 2:1	WEIGHT -	A3 SHEET 1/1

Notes

- PCB or heatsink level.
- LED location
- Ensure LED fitting from a product specific 3D model available from www.ledil.com
- For more details about installation please see LEDiL Installation Guide on www.ledil.com

1

1